



Service Information

FOUR

AKZ 478/NB

8585 478 29020

Last Modification: 05.04.2012

Creation Date: 04.02.2011

LISTE DE PIECES	2
VUE ECLATEE	3
DONNEES TECHNIQUES	4
SCHEMA A L'ECHELLE	5
SCHEMA DE CABLAGE	6
CODE ERREUR	8
DESCRIPTION DE CONFIGURATION	9
PENDANT LE PROGRAMME TEST	11
CODE DE CONFIGURATION	12

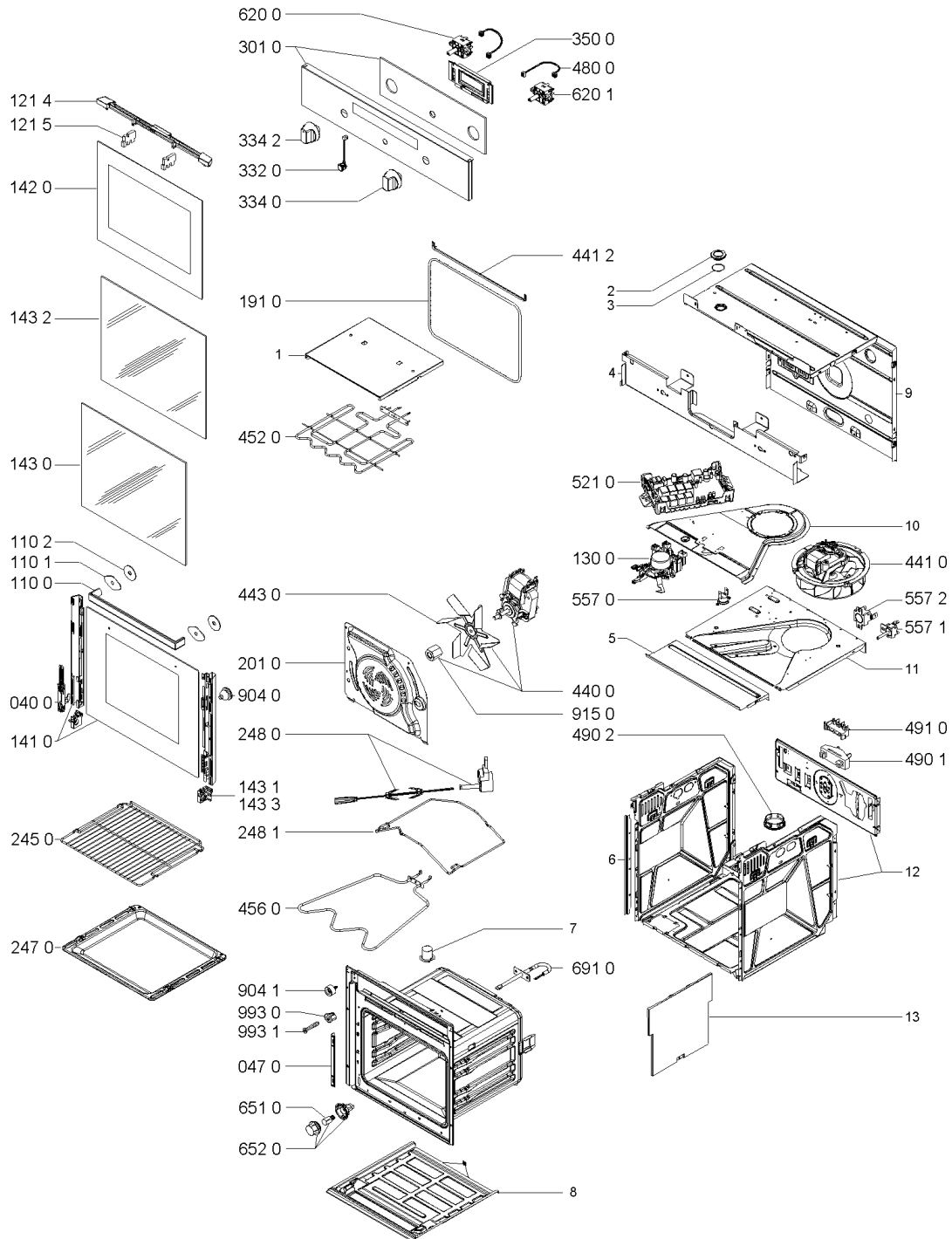
This document is only intended for qualified technicians who are aware of the respective safety regulations.

Subject to modifications

LISTE DE PIECES

Pos	12NC	Description
0400	4801 211 03972	CHARNIERE
0470	4801 211 01154	GUIDE CHARNIERE
1100	4810 103 67805	POIGNEE PORTE
1101	4812 466 68928	CAOUTCHOUC
1102	4812 462 48451	CAOUTCHOUC POIGNEE
1214	4801 211 03973	DEFLECTEUR
1215	4801 211 01615	ENTRETOISE
1300	4801 211 01623	CROCHET PORTE
1410	4810 103 95851	PORTE FOUR NB
1420	4812 450 59838	VITRE INTÉRIEURE
1430	4810 602 18732	PORTE FOUR VITRE
1431	4801 211 01613	SUPPORT
1432	4812 450 59599	VITRE INTERMEDIAIRE
1433	4801 211 02664	SUPPORT
1910	4801 211 03966	JOINT
2010	4801 211 01586	PANNEAU ARRIERE
2450	4801 211 01183	GRILLE DE FOUR
2470	4801 211 03007	LECHEFRITE
2480	4801 310 00139	TOURNEBROCHE
2481	4801 211 01582	GRILLE SUPPORT TB
3010	4810 103 95847	BANDEAU NB
3320	4810 615 23021	TOUCHE
3340	4810 103 71190	BOUTON IX
3342	4810 103 66610	BOUTON IX
3500	4810 103 64134	AFFICHEUR G2 EVO ANALOGIQUE
4400	4812 361 18492	MOTEUR VENTILATEUR
4410	4801 211 03967	VENTILATEUR RE.
4412	4812 466 88784	JOINT DEFLECT. AIR SUP.CAVITE
4430	4819 515 48065	TURBINE AIR PULSE
4520	4801 211 01585	ELEM. CHAUFFANT SUPÉRIEURE/GRILL 2450W
4560	4801 211 01147	ELEM. CHAUFFANT DE SOLE 1150W
4800	4801 211 01172	FAISC.DE CABLES SELEC. DE PROGR-DISPLAY
4901	4812 290 68255	ATTACHE CABLE
4902	4812 321 48026	C.DE TRAVERSRE
4910	4812 290 68329	BORNIER
5210	4801 211 03965	PLATINE PUISSANCE ESTER
5570	4801 211 01181	THERMOSTAT 155°C
5571	4801 211 03437	THERMOSTAT 285°C
5572	4801 211 04066	THERMOSTAT 200°C
6200	4801 211 02833	INTERRUPTEUR 11 POS.
6201	4801 211 02829	INTERRUPTEUR +/-
6510	4810 103 91431	LAMPE HALOGENE 40W
6520	4801 211 01148	LAMPE HAL 40W CPL (AMPOULE 481010391431)
6910	4801 211 01597	SONDE TEMPERATURE
9040	4801 211 01594	ENTRETOISE
9041	4801 211 04065	CAPSULE TELEPH.
9150	4819 505 18145	ECROU MOTEUR
9930	4801 211 01185	ENTRETOISE
9931	4801 211 04721	ENS

VUE ECLATEE



4000 103 95844

DONNEES TECHNIQUES**ALIMENTATION**

TENSION D'ALIMENT.230 V~
RACCORDEMENT230 V 1N~50 Hz

PUISS. CONSOMMEE

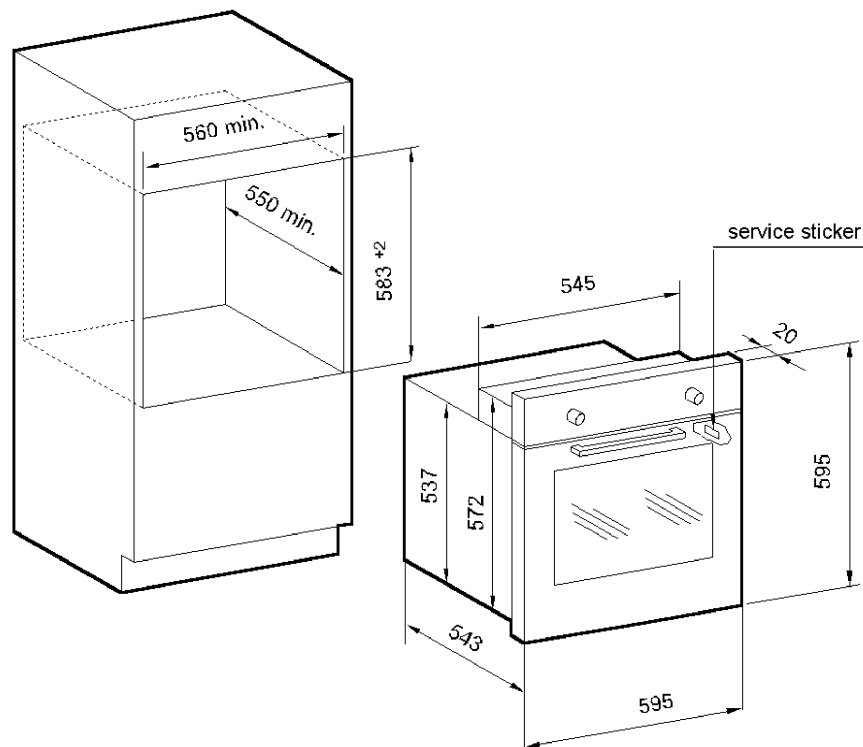
PUISSANCE TOTALE3650 W
RESISTANCE DE VOUTE / GRILLOIR2450 W
RESISTANCE DE SOLE1150 W

COMPOSANTS ELECTRIQUES

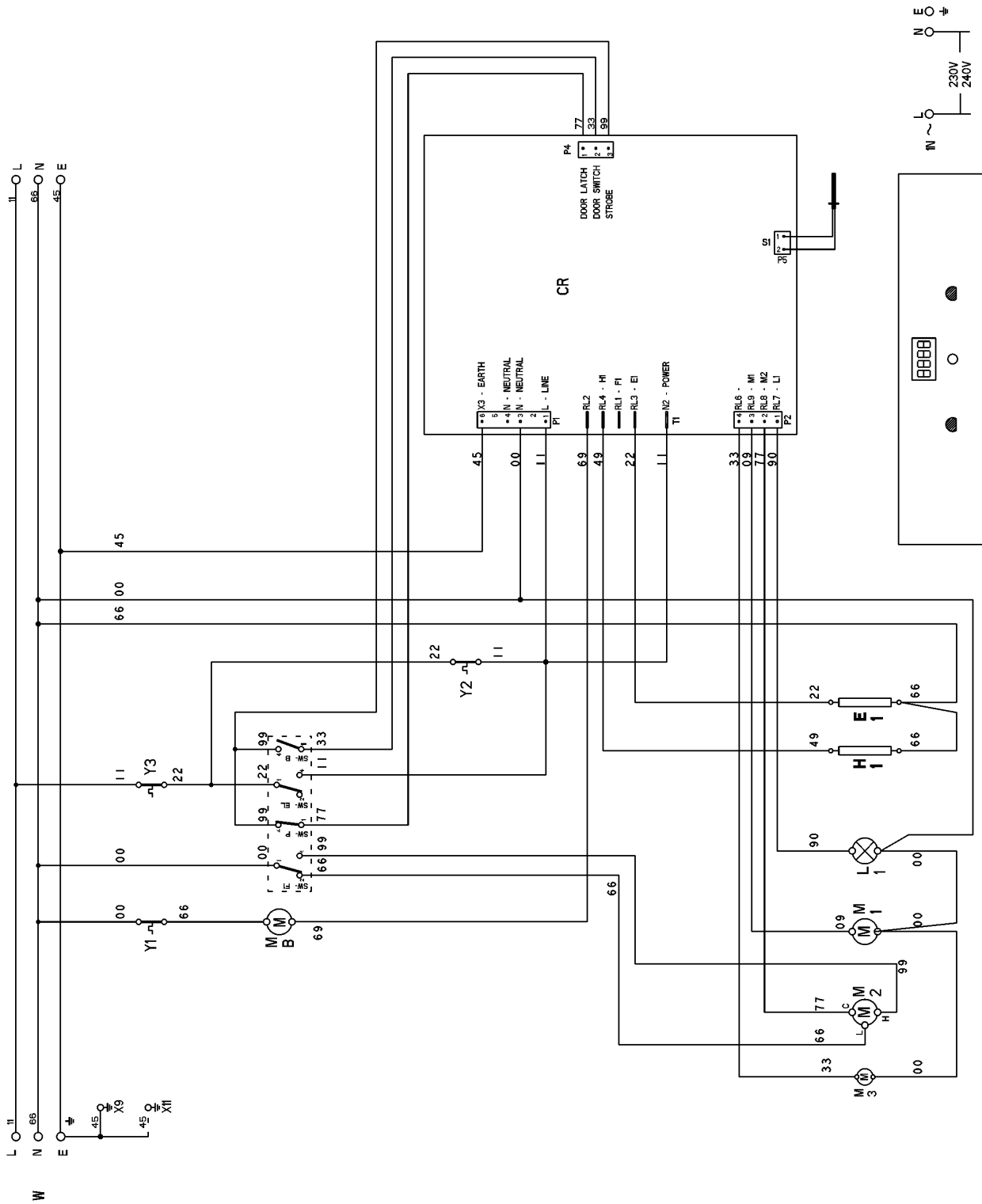
PROGRAMMATEURG2 EVO

ACCESSOIRES

LECHEFRITE EMAILLEE452.5 x 375 mm
GRILLE CHROMEE451 x 375.2 mm

SCHEMA A L'ECHELLE**Z8100177**

SCHEMA DE CABLAGE



4619 619 09971

LEGENDE

CR	PLATINE DE CONTRÔLE FOUR
E1	RESISTANCE SUPERIEURE
H1	RESISTANCE INFERIEURE
L1	LAMPE DE FOUR
M1	MOTEUR FOUR
M2	MOTEUR DE REFROIDISSEMENT (VITESSE DOUBLE)
M3	MOTEUR TOURNEBROCHE
MB	MOTEUR VERROUILLAGE PORTE
F	FUSIBLE
S	CAPTEUR ELECTRONIQUE
SW/B	INTERRUPTEUR VERROUILLAGE DE PORTE
SW/EL	INTERRUPTEUR ALIMENTATION ELECTRIQUE
SW/F1	INTERRUPTEUR AUXILIAIRE
SW/P	INTERRUPTEUR DE PORTE
W	BORNIER D'ALIMENTATION
X3	TERRE PLATINE DE CONTRÔLE
X9	TERRE RESISTANCE SUPERIEURE
Y1	INTERRUPTEUR THERMIQUE
Y2	INTERRUPTEUR THERMIQUE
Y3	INTERRUPTEUR THERMIQUE

00	NOIR
11	MARRON
22	ROUGE
33	ORANGE
44	JAUNE
55	VERT
66	BLEU
77	VIOLET
88	BLEU CIEL
92	ROSE
99	BLANC
09	BLANC-NOIR
29	BLANC-ROUGE
49	BLANC-JAUNE
69	BLANC-BLEU
90	GRIS
45	JAUNE-VERT

61909971fr

CODE ERREUR

Failure Code	Failure Type	Suggested Repair Action
F01	Probe	Temperature Probe error. First check probe connection, if ok disconnect the probe and measure its resistance ($1000\Omega + 3.75 \times \text{Temp ambient}$). If value is in range change AM.
F02	Temperature	Temperature error. Check heating elements insulation (disconnect the heating element and check each terminal for continuity to GROUND). If there is no continuity change AM. If there is continuity change heating element.
F03	EEPROM	EEPROM error. Check with the manual configuration menu that the oven is correctly configured and the test bit is set to ON. Wait 10 minutes. If F03 appears again, change AM.
F04	WIDE	WIDE communication error. First check the connection on P007 of AM. If it is OK check the connection of the WIRE that start from AM P007 to the UI board. If it is ok connect a new UI and check if the appliance works properly. If not change the AM.
F05	Latch (Pyro version only)	Latch error. First unplug the appliance, wait at least 10sec then reconnect. Verify that latch system repositioning works correctly (door has to be closed, motor has to run). If this happens, check the connection between AM and door latch system. If it is ok check micro switch functionality (door switch open if the door is open and latch switch open if the door is unlocked). If switches are ok then change AM.
F06	Door (Pyro version only)	Door error. First check connection between AM and door latch system. If it is ok check door switch functionality (open circuit if the door is open, closed circuit if the door is closed). If switch is ok then change AM.
F07	Cooking parameter data set error	Data set error. If the problem persists change AM.
F08	UI EEPROM error	User Interface EEPROM error. Change UI (Navigator or Atlas).
F09	UI SPI memory error	UI SPI memory error. Change UI (Navigator or Atlas).
F10	Function knob error	The value read is not allowed for the selected knob. First check connection between UI (dummy or smart) and the knob. If it is ok, check that the oven is correctly configured using the manual configuration menu. If the problem persists change the knob encoder. If the problem still persists change the AM.
F11	6 TH sense error	6 TH sense error, Voltage error or Current error. Verify power supply voltage is $230 \pm 10\%$ If supply is within tolerances, change AM.
F18	Zero crossing error	Not foreseen.
F20	FPGA error (only ATLAS)	Change UI.
F21	HMI input error (only ATLAS)	Change UI.

81003105en

DESCRIPTION DE CONFIGURATION

Manual Configuration Procedure

- ✓ To be done at appliance manager (AM) / user interface (UI) exchange
- ✓ To access the manual configuration menu, the function knob have to be positioned to the 0 (off) position
- ✓ Configuration numbers are on the rating plate – XX/XX : respectively the UI/AM numbers, if UI is 00, you do not need to configure the User Interface.
- ✓ The configuration menu can be accessed only within the first minute after the oven is plugged in.

At the end of the procedure don't forget to set the TEST BIT to ON, if it's not done, the oven will show the F03 error message after a few minutes.

G2Evo User Interface (with one or two buttons)

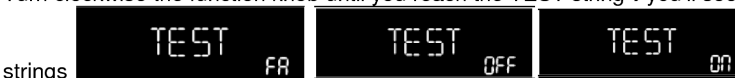


Within the first minute after plug in:

- 1) Press the OK button for 5 seconds → a long “beep” is played;
- 2) Press the OK button 4 times (must be pressed in 5 seconds) → display shows “CONF” and the configuration number



- 3) Press the OK button for 3 seconds to enter the edit mode → configuration code blinks
- 4) Turn the temp. knob to select the configuration code → confirm it by pressing OK for 3 seconds
- 5) Turn clockwise the function knob until you reach the TEST string → you'll see one of these



strings

- 6) Press OK for 3 seconds → TEST BIT status blinks
- 7) Turn the temp. knob to set the TEST BIT to ON → press OK for 3 seconds
- 8) Finished, to exit the configuration menu, turn the function knob clockwise to 0 (off)

81003106en

Navigator and Atlas User Interface



Within the first minute after plug in:

- 1) Press the OK and << buttons for 5 seconds → a long “beep” is played;
- 2) Press the OK button 4 times (must be pressed in 5 seconds) → display shows “CONF”



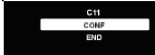
- 3) To enter the configuration menu, press the OK → UI:xx is shown



- 4) Turn the temperature knob (up/down arrow buttons if touch) to select the UI configuration and press OK to confirm → AM:xx is shown



- 5) Turn the temperature knob (up/down arrow buttons if touch) to select the AM configuration and press OK to confirm → CONF menu is shown again



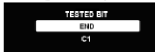
- 6) Turn the temperature knob (up/down arrow buttons if touch) and go to the TESTED BIT



- 7) Press OK to enter edit mode



- 8) Turn the temperature knob (up/down arrow buttons if touch) to select the “TESTED BIT: ON” string and press the << (back) button to confirm → menu is shown again



- 9) Turn the temperature knob (up/down arrow buttons if touch) and go to END string, press OK to exit the manual configuration menu

81003106en

PENDANT LE PROGRAMME TEST

DEMO MODE for MINERVA ELECTRONIC OVENS

G2EVO Display



Functionality: In this state the user interface shows a sequence of screen that represent the oven features. All the electric loads (heaters) are switched OFF. The only loads that are managed like as during the normal behavior of the oven are the lamp, and the cooling fan.

Procedure: the procedure to enter in Demo mode is:

With the function knob on 0 (off)

Within the first minute from oven plug in:

1. OPEN the door
2. Keeping the DOOR OPEN, press BACK button for 5 seconds

At this point the display starts the screen sequence described here below.

In Demo mode the user interface inputs have no impact on the oven; the UI shows the screen related to the position like in normal functions with the difference that the loads are not switched ON. Only the lamp is switched ON if the position if the function knob required it ON or if the door is open.

After 2 minutes of no interaction between the customer and the OVEN the screen sequence starts again and the LAMP is switched OFF.

NOTE: DEMO mode must be set within 1 minute after the power ON. It is not possible set the DEMO mode after 1 minute from the power ON.

Power OFF will not delete the Demo mode. Once the DEMO mode is activated it will be maintained at the next power ON. In order to deactivate the DEMO mode the same procedure to enter has to be executed.

On the oven versions with only one button, to exit the DEMO MODE, you need to enter into the MANUAL CONFIGURATION menu, exiting the MANUAL CONFIGURATION menu, also the DEMO MODE will be cancelled.

Navigator / Atlas (Flagship) Display



Functionality: In this state the user interface shows a sequence of screen that represent the oven features. As an alternative the buttons can be operated as normal, but all the electric loads (heaters) are switched OFF. The only loads that are managed like as during the normal behavior of the oven are the lamps, and the cooling fan.

Procedure: the procedure to enter in Demo mode is:

With the function knob on 0 (off)

Within the first minute from oven plug in:

1. OPEN the door
2. Keeping the DOOR OPEN, press BACK button for 5 seconds

Activation/deactivation is confirmed by a sound.

On power up, when demo mode is activated, system directly jumps to stand by screen by taking 12:00 as default TOD.

After two minutes of inactivity system automatically jumps to demo mode slideshow.

NOTE: DEMO mode must be set within 1 minute after the power ON. It is not possible set the DEMO mode after 1 minute from the power ON.

Power OFF will not delete the Demo mode. Once the DEMO mode is activated it will be maintained at the next power ON. In order to deactivate the DEMO mode the same procedure to enter has to be executed.

81003107en

CODE DE CONFIGURATION

..... GE00-ES03